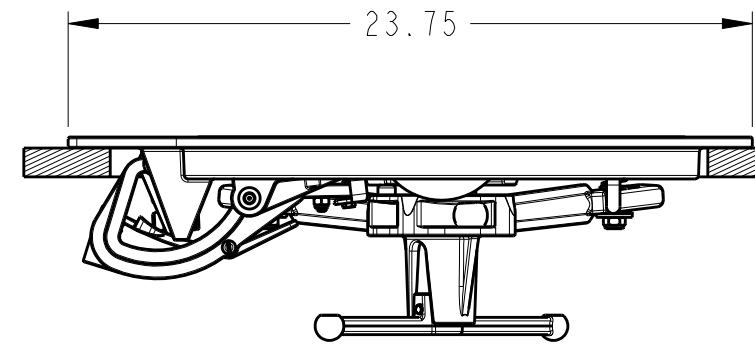
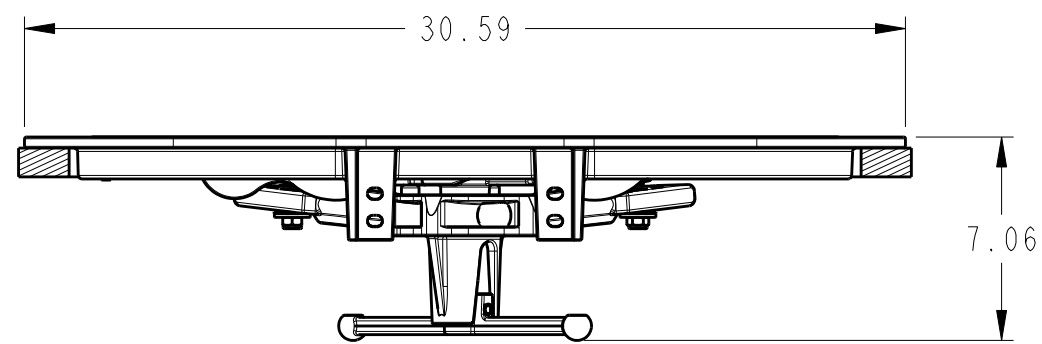
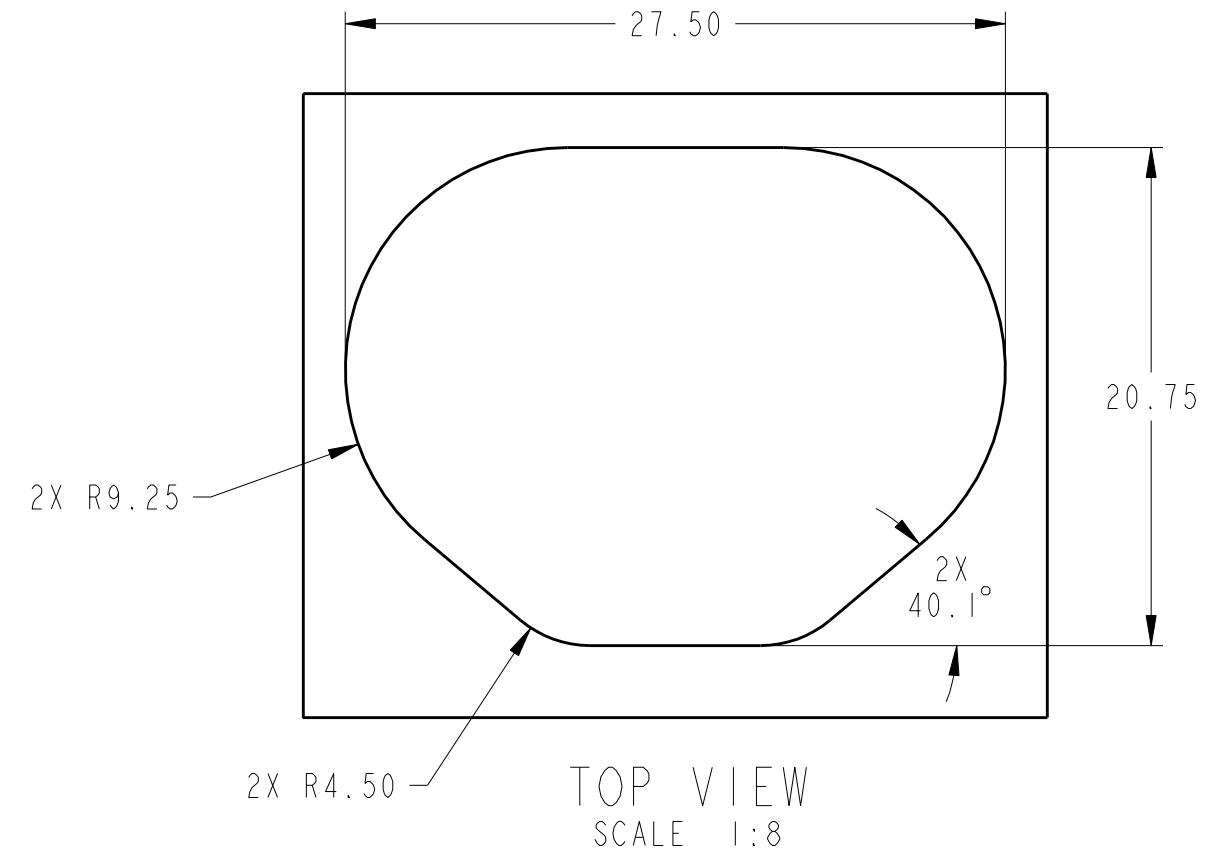
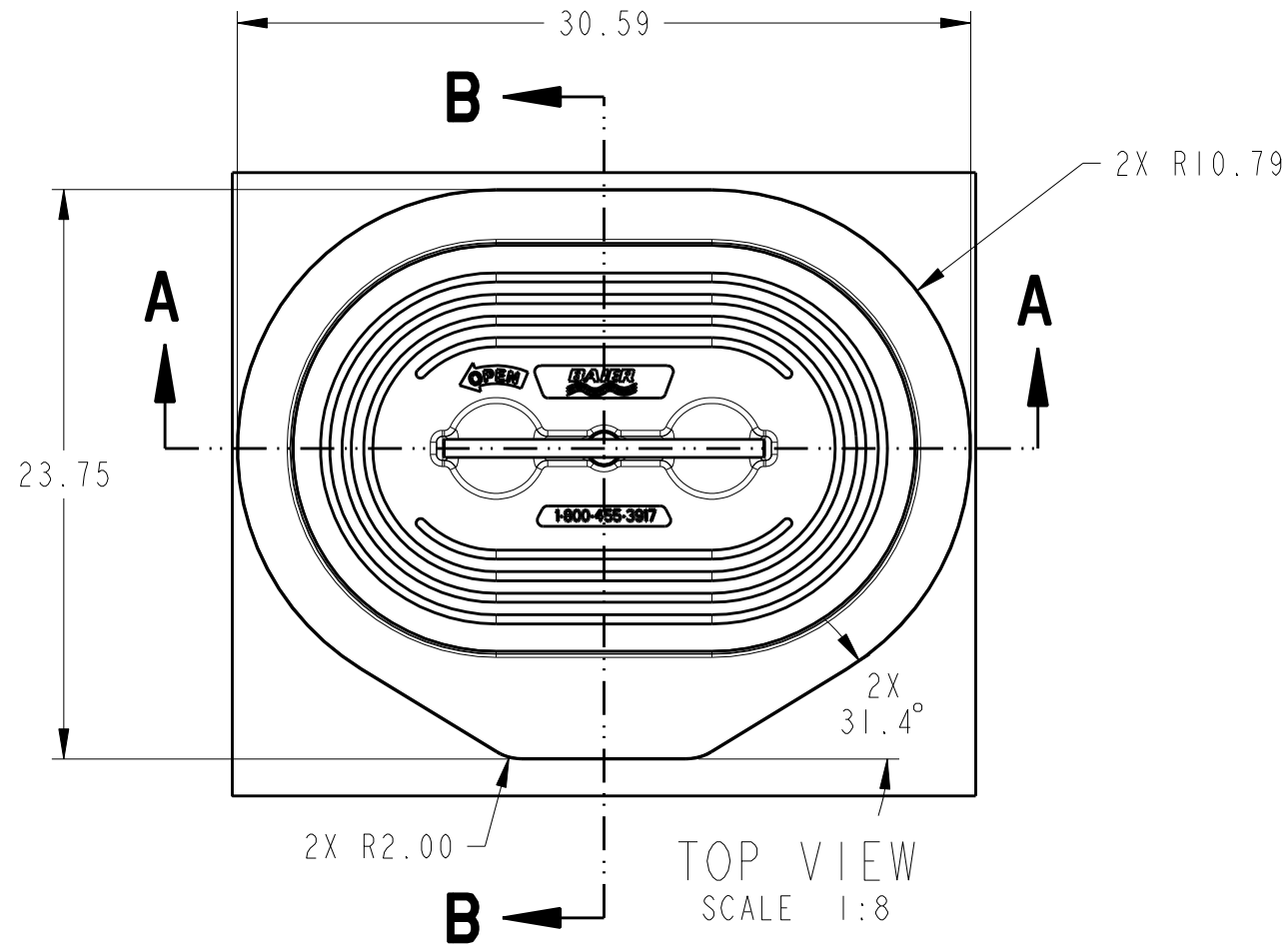


REVISIONS					
REV	ECN	ECR-TN	DESCRIPTION	DATE	APR
A	16-00209	N/A	INITIAL RELEASE	08/19/16	RCL



THE INFORMATION CONTAIN IN THIS DOCUMENT IS PROPRIETARY AND SHALL NOT BE REPRODUCED OR USED FOR ANY PURPOSE WITHOUT THE WRITTEN APPROVAL OF BAIER MARINE CO., INC.

**BAIER**  
2920 Airway Ave., Costa Mesa, CA 92626

TITLE HATCH ASSY, 15X24 QA  
HINGE AL

UMC P/N REF 08863-115A	PRO/E THIRD ANGLE PROJECTION	DWN BAE DT 01/11/16	SIZE B	DWG NO. BFHHQTH15X24A-A	REV A
		CK DT	SCALE 91:1000 AND NOTED		SHEET 1 OF 1
		APR DT			