

## BFHHQTH-HINGE - Internal Hinge | For Quick Acting Hatches

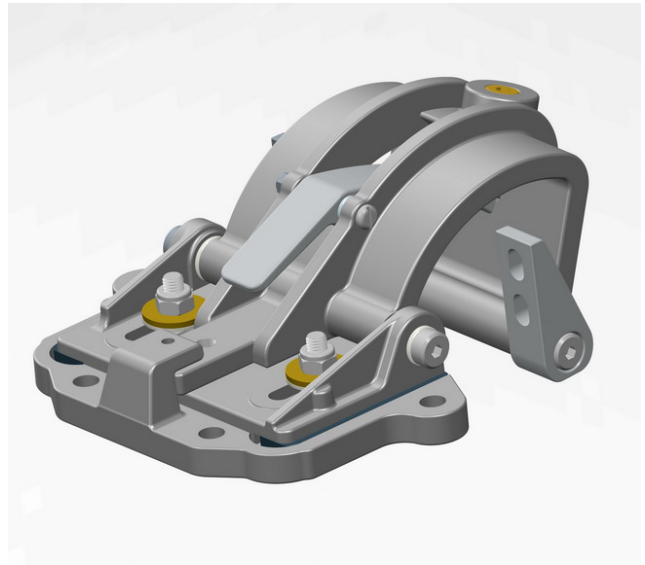
These light-weight, quick-acting 4-dog models are ideal for high-traffic closures where speed and ease are paramount, and/or where positive engagement must be visually verifiable at a glance. The new Baier Hidden-Hinge, fully-articulated commercial marine flush deck hatch assembly for workboats adds the convenience of a built-in recessed Stainless Steel T-handle to the flush-mounted, quick release, lift-out hatch. The design is especially useful for on aluminum boats, crew supply vessels (CSV), fishing vessels and other workboats, as well as many U.S. Navy and U.S. and Canadian Coast Guard vessels. This new hinge assembly works exceeding well when installed vertically like a door -- it pivots easily and maintains alignment. An over-center auto stop holds cover securely open at 120 degrees, and the hatch cover slides further open to over 180 degrees.

### FEATURES

- Opens to 180 degrees-plus
- Over-center auto stop holds cover securely open at 120 degrees
- Auto-stop releases quickly with a push-lever
- Stainless hardware, Delrin slides
- Works equally well in flush deck or vertical mount positions – perfect for a lazarette hatch-door
- Thicker Dog Arms for superior strength
- Positive visual verification: When the handle is down, the hatch is secured
- Inside escape bar on all units (optional inside turning wheel available)
- Subtle design improvements make the BFHQ stronger, more water-tight than our competitors' similar units

### Shared With Classic HEX-Bolt Series:

- Available in 20" Round, 15" X 24" Oval or 24" x 24" Square
- Available with aluminum or galvanized steel deck ring



BFHHQTH-HINGE Exploded View



BFHHQTH-HINGE with Optional Handwheel



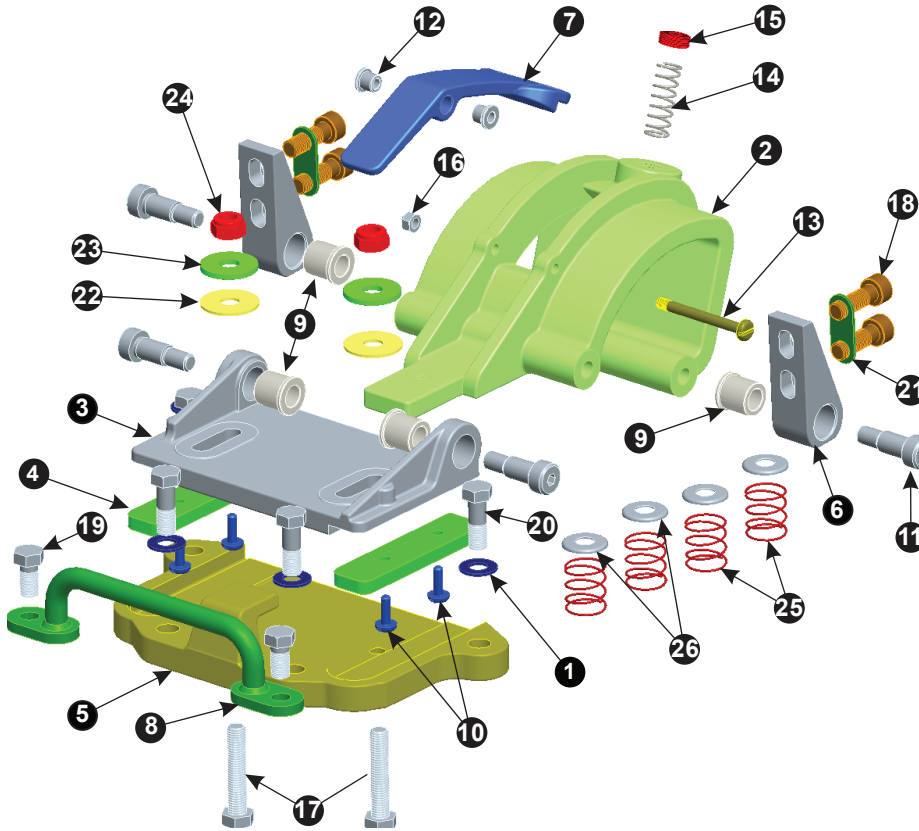
Model Number	Cutout Dimension in. (mm)	Hatch Material	Autocad PDF/DXF
08863-126A			
08863-126B			
BFHHQTH15X24A/A		Aluminium / Aluminium	<a href="#">BFHHQTH15X24A DXF (ZIP)</a>
BFHHQTH15X24A/S		Aluminium / Steel	
BFHHQTH20A/A		Aluminium / Aluminium	<a href="#">BFHHQTH20A-A DXF (ZIP)</a>
BFHHQTH20A/S		Aluminium / Steel	<a href="#">BFHHQTH20A-S DXF (ZIP)</a>
BFHHQTH24X24A/A		Aluminium / Aluminium	<a href="#">BFHHQTH24X24A-A DXF (ZIP)</a>
BFHHQTH24X24A/S		Aluminium / Steel	<a href="#">BFHHQTH24X24A-S DXF (ZIP)</a>



This hatch is ABS Certified for use on ABS classed vessels or facilities by the American Bureau of shipping.

# BAIER INTERNAL HINGE

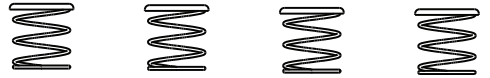
EXPLODED VIEW



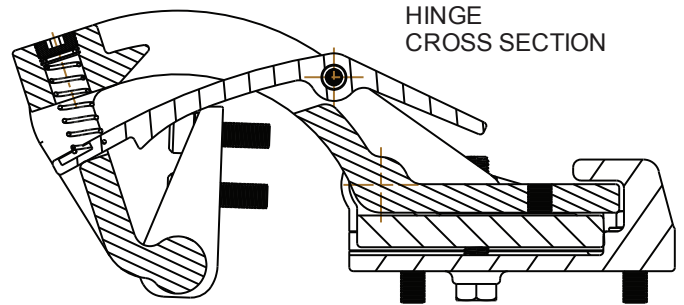
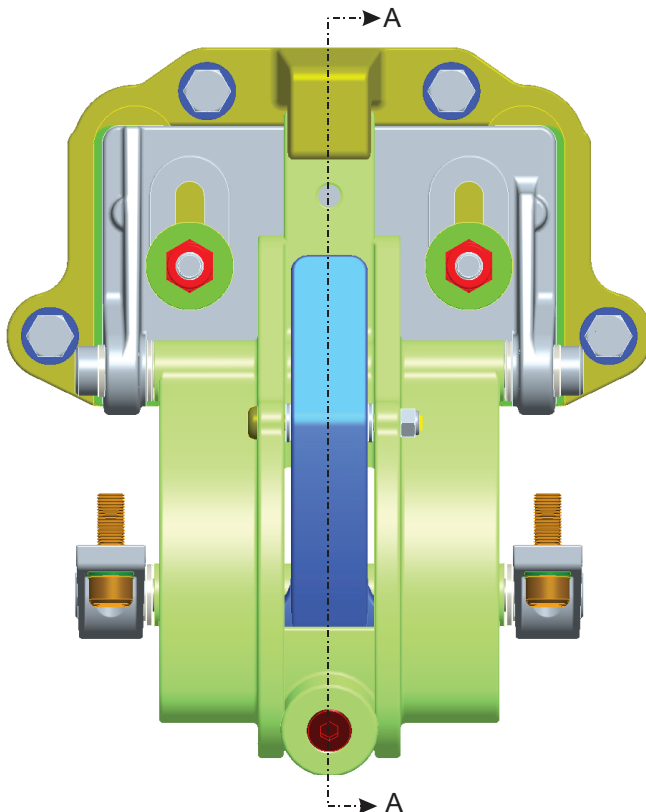
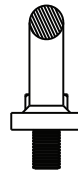
BILL OF MATERIAL: 08863-106				
#	DESC.	MAT	P/N	QTY
1	WASHER 3/8	SS	08860-803A	4
2	HINGE	SS	08863-242A	1
3	SLIDE PLATE	SS	08863-243A	1
4	SLIDES	DL	08863-244A	2
5	SLIDE BASE	SS	08863-245A	1
6	DECK RINGMOUNT	SS	08863-247A	2
7	LOCKING LATCH	SS	08863-248A	1
8	GRAB HANDLE	SS	08863-405A	1
9	BUSHING	DL	08863-810A	4
10	SCREW M6 16mm	SS	08863-811A	4
11	SHOULDERBOLT	SS	08863-811A	4
12	BUSHING	DL	08863-814A	2
13	SCREW M6 60mm	SS	08863-816A	1
14	SPRING 14mm	SS	08863-817A	1
15	PLUG, 3/8 NPT	SS	08863-818A	1
16	NUT, NYLOCK M6	SS	08863-819A	1
17	BOLT M10 50mm FULTHD	SS	08863-820A	2
18	BOLT M10 30 mm SOC	SS	08863-821A	4
19	BOLT M10 20mm	SS	08863-822A	2
20	BOLT M10 30mm	SS	08863-823A	4
21	WASHER	SS	08863-817A	2
22	WASHER M10	UP	08864-803A	2
23	WASHER M10	SS	08864-805A	2
24	NYLOCK NUT M10	SS	08864-807A	2
25	SPRING	SS	08864-809A	4
26	SPRINGCAP	SS	08864-810A	4

MATERIAL KEY	
SS	STAINLESS STEEL
DL	DELFIN
UP	UHMW POLY

DOG ARM LIFT SPRING  
FOR VERTICAL INSTALLATION



TOP VIEW



SECTION A:A



1-800-455-3917  
206-632-2441 (FAX)  
sales@baiermarine.com

**BAIER INTERNAL HINGE**  
INTERNAL HINGED FOR USE ON  
BFHHQ SERIES QUICK ACTING  
WITH BUILT-IN T-HANDLE

DWG. NO. 08863-106