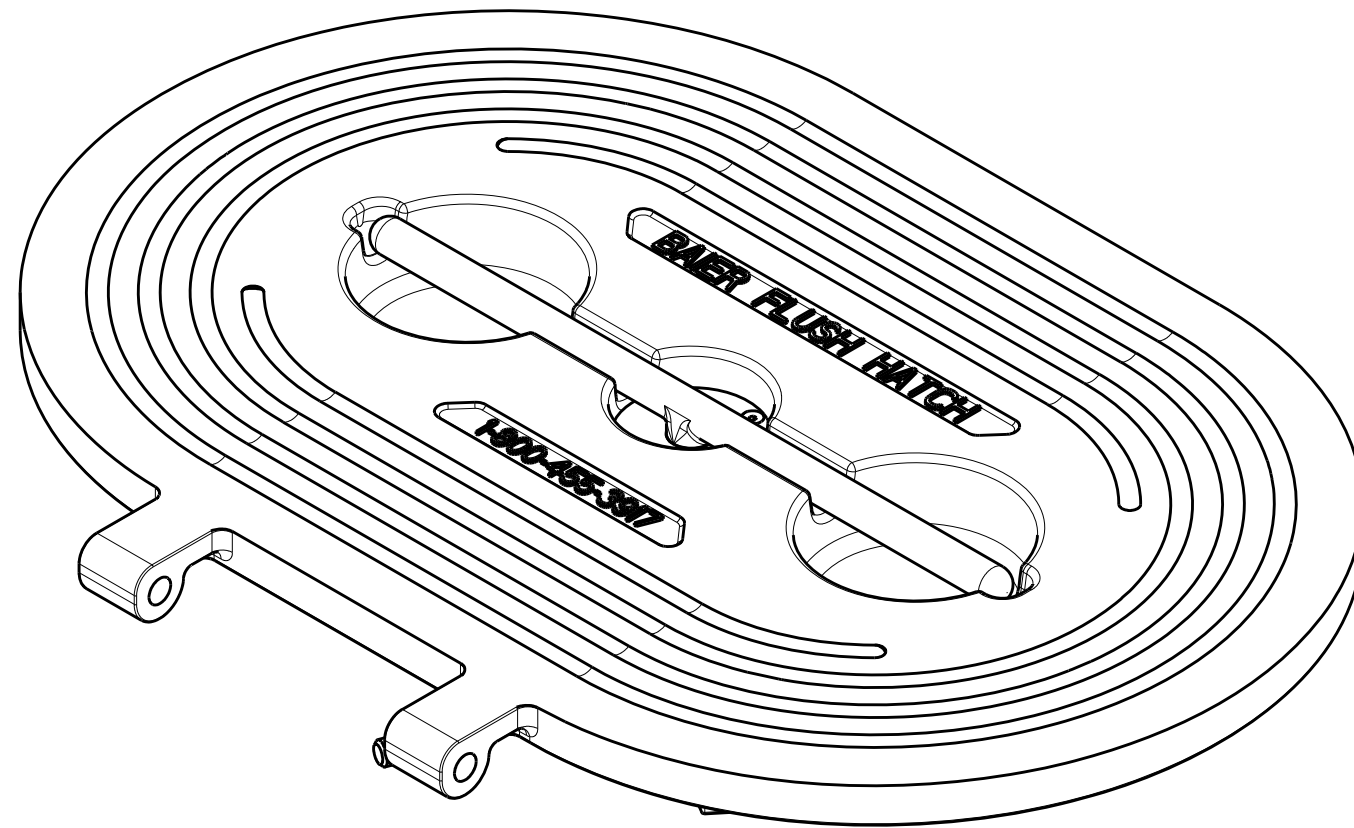


REVISIONS					
REV	ECN	ECR-TN	DESCRIPTION	DATE	APR
A	16-00209	N/A	INITIAL RELEASE	08/19/16	RCL

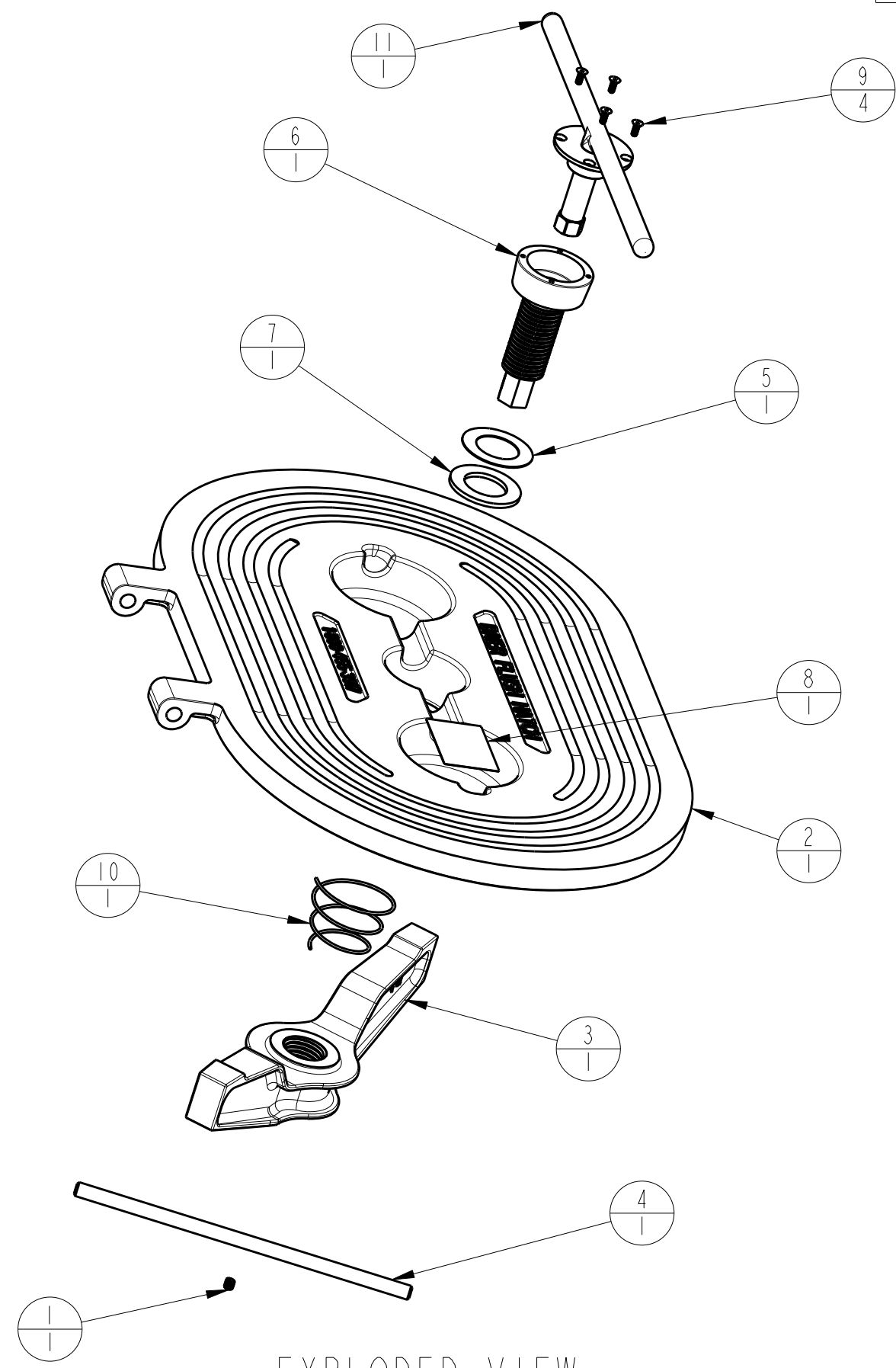


ISOMETRIC VIEW

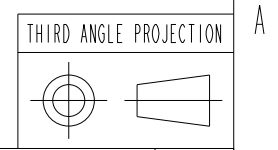
QTY	DESCRIPTION	PART NO	ITEM
1	TEE HANDLE HEX ASSY	08862-117A	11
1	SPRING	08861-805A	10
4	SCREW, FLAT, SOC HD #10-24 X 1/2 LG	08861-801A	9
1	DECAL, HATCH LUB	08861-710A	8
1	GASKET, 1.50" ID	08861-701A	7
1	BOLT, CENTER, THREAD TH	08861-214A	6
1	WASHER, FLAT 1.50" ID SS	08861-206A	5
1	ROD, .50" DIA X 12" LG	08861-205A	4
1	STRONGBACK ASSY, AL, 16.5" BRNZ	08861-128A	3
1	COVER KIT - GASKET, TH HINGE, AL #525, 15" X 24"	08861-123A	2
1	SCREW, SET 5/16-18 X 5/16 SS	06122-801B	1

THE INFORMATION CONTAIN IN THIS DOCUMENT IS PROPRIETARY AND SHALL NOT BE REPRODUCED OR USED FOR ANY PURPOSE WITHOUT THE WRITTEN APPROVAL OF BAIER MARINE CO., INC.			
2920 Airway Ave., Costa Mesa, CA 92626		TITLE COVER ASSY, TH-HINGE, ALUM #525, 15" X 24"	
PRO/E THIRD ANGLE PROJECTION		DWN BAE DT 01/06/16 CK DT APR DT	
UMC P/N REF 08861-122A		SIZE B DWG NO. BFHHOTH15X24A SCALE 3:10 AND NOTED	
		REV A SHEET 1 OF 3	

REVISIONS					
REV	ECN	ECR-TN	DESCRIPTION	DATE	APR
A	16-00209	N/A	SEE SHEET 1	08/19/16	RCL



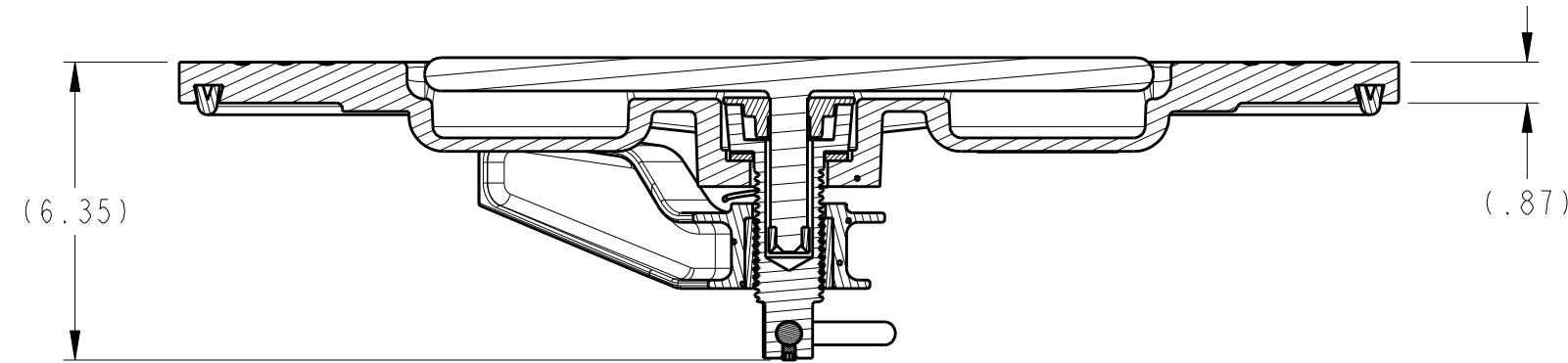
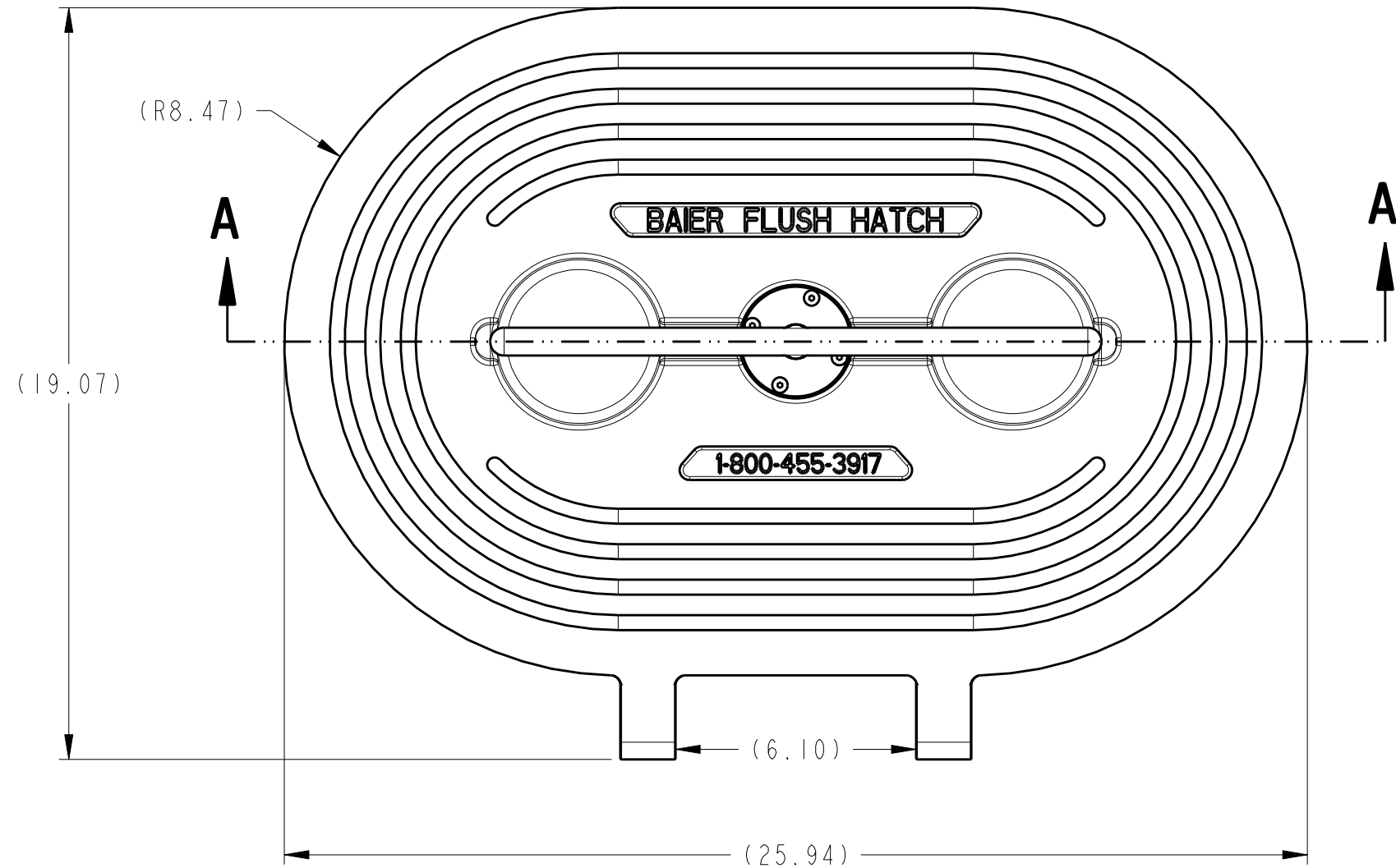
EXPLODED VIEW



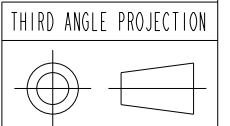
BAIER MARINE Co., Inc. 2920 Airway Ave., Costa Mesa, CA 92626		DWN DT	DWG NO. BFHHOTH15X24A	REV A
SCALE 1:5		SHEET 2 OF 3		

REVISIONS				DATE	APR
REV	ECN	ECR-TN	DESCRIPTION		
A	16-00209	N/A	SEE SHEET 1	08/19/16	RCL

TOP VIEW



SECTION A-A



BAIER MARINE Co., Inc. 2920 Airway Ave., Costa Mesa, CA 92626		DWN DT	DWG NO. BFHHOTH15X24A	REV A
SCALE 1:4		SHEET 3 OF 3		