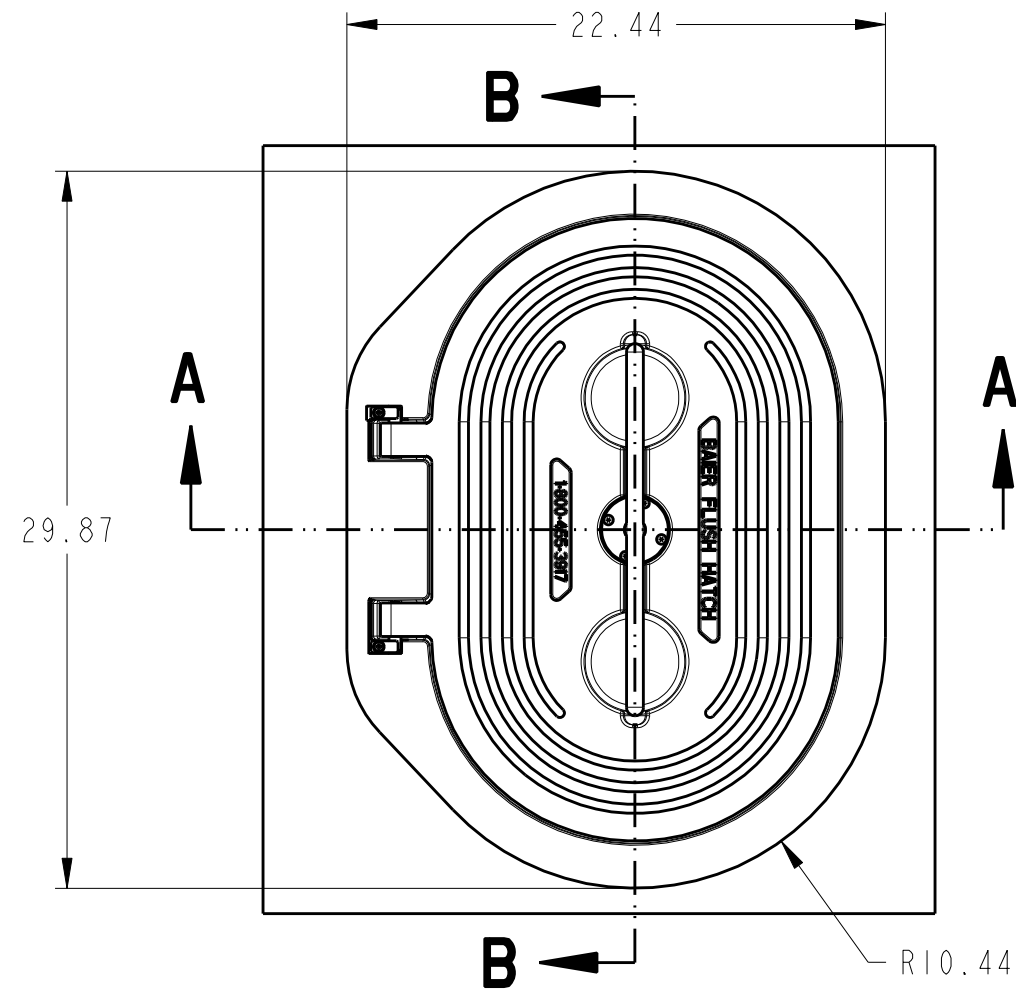
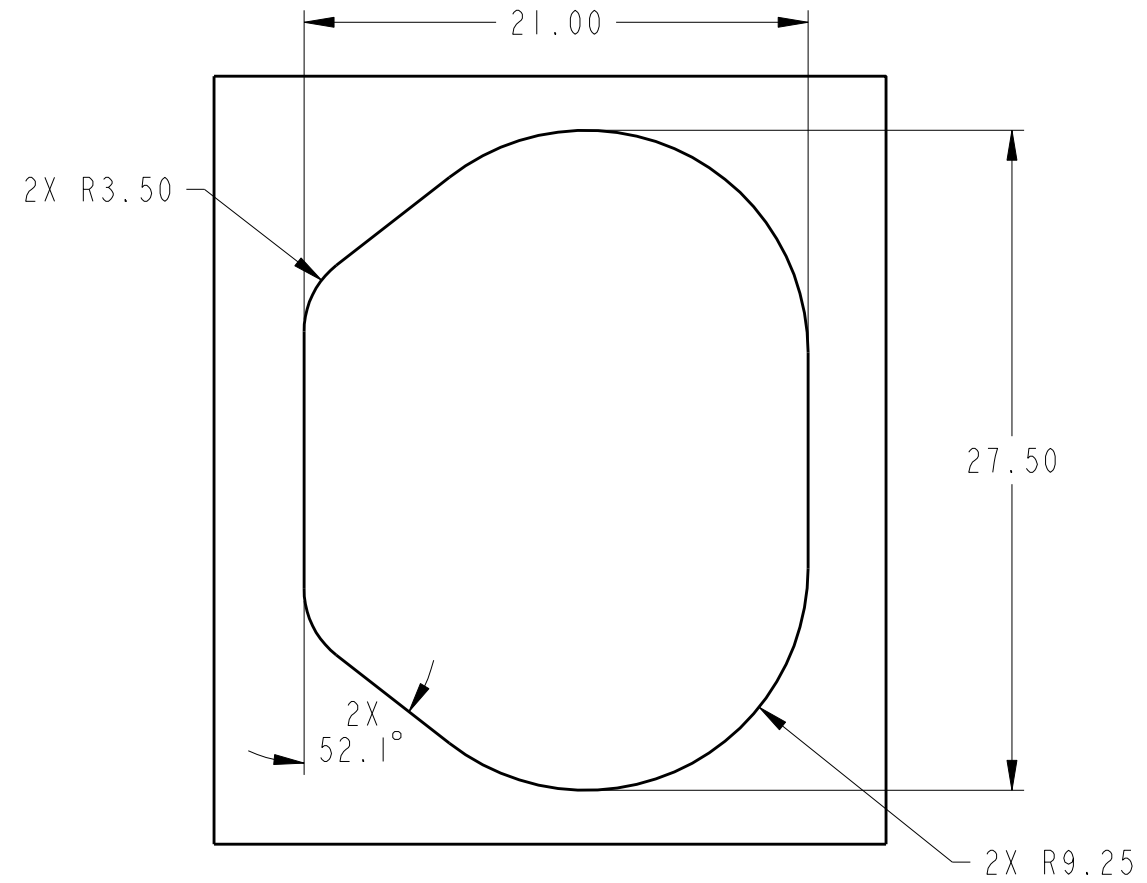


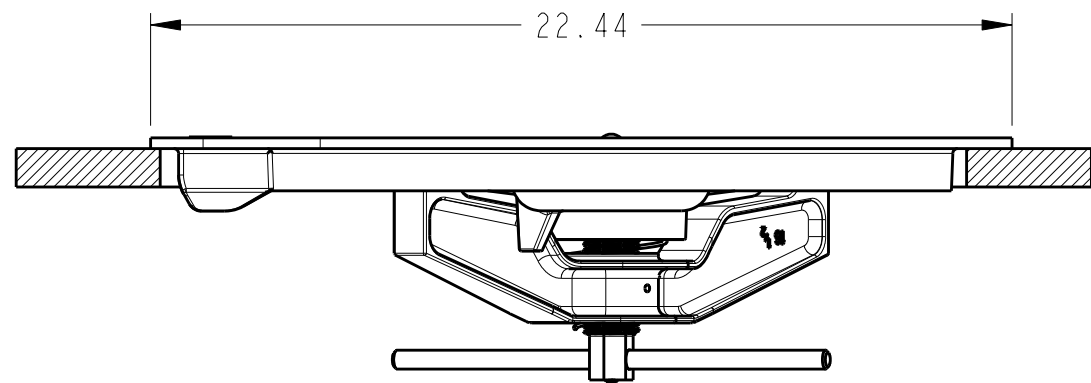
REVISIONS					
REV	ECN	ECR-TN	DESCRIPTION	DATE	APR
A	16-00209	N/A	INITIAL RELEASE	08/19/16	RCL



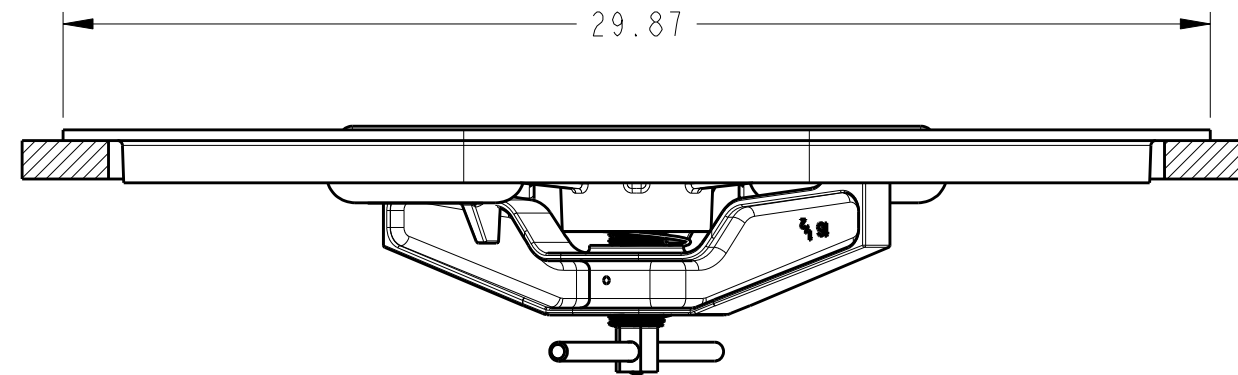
TOP VIEW  
SCALE 1:8



CUTOUT DIMENSION VIEW  
SCALE 1:8



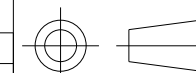
SECTION A-A  
SCALE 1:5



SECTION B-B

PRO/E  
THIRD ANGLE PROJECTION

UMC P/N REF  
08861-121B



THE INFORMATION CONTAIN IN THIS DOCUMENT IS PROPRIETARY AND SHALL NOT BE REPRODUCED OR USED FOR ANY PURPOSE WITHOUT THE WRITTEN APPROVAL OF BAIER MARINE CO., INC.

DWN	BAE	DT	01/05/16
CK		DT	
APR		DT	

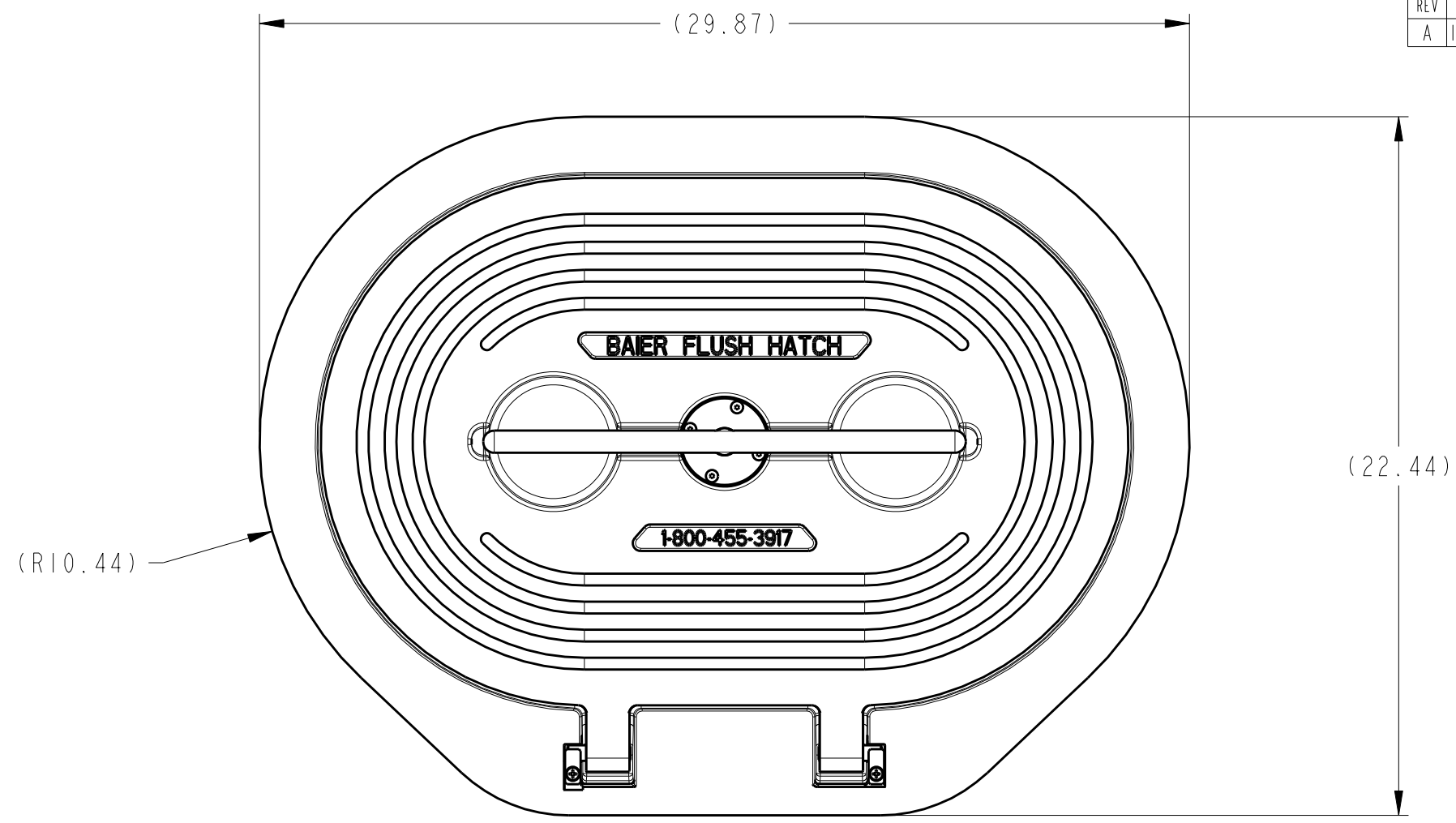
**BAIER**  
2920 Airway Ave., Costa Mesa, CA 92626

TITLE HATCH ASSY, T-HANDLE HINGE  
AL-ST #525 (BFHHO 15x24)

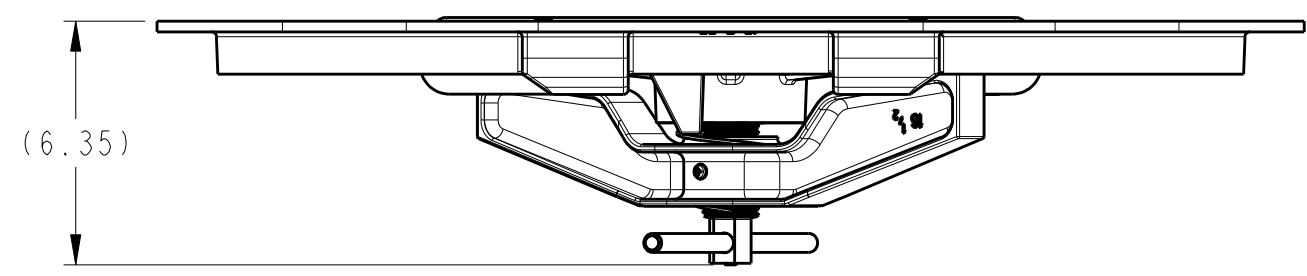
DWG NO. BFHHO15X24A-S REV A

SCALE 1:5 AND NOTED SHEET 1 OF 3

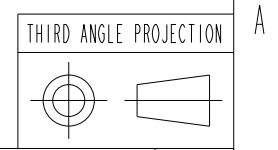
REVISIONS				DATE	APR
REV	ECN	ECR-TN	DESCRIPTION		
A	16-00209	N/A	SEE SHEET 1	08/19/16	RCL



TOP VIEW



FRONT VIEW



BAIER MARINE Co., Inc. 2920 Airway Ave., Costa Mesa, CA 92626		DWN DT	DWG NO. BFHHOTH15X24A-S	REV A
SCALE 1:5		SHEET 2 OF 3		

8

7

6

5

4

3

2

1

REVISIONS					
REV	ECN	ECR-TN	DESCRIPTION	DATE	APR
A	16-00209	N/A	SEE SHEET 1	08/19/16	RCL

D

D

C

C

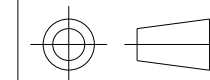
B

B

A

A

THIRD ANGLE PROJECTION



BAIER MARINE Co., Inc. 2920 Airway Ave., Costa Mesa, CA 92626		DWN	DWG NO. BFHHOTH15X24A-S	REV A
DT	SCALE 1:5	SHEET	3 OF 3	

8

7

6

5

4

3

2

1