

BFHHOTH15X24 - Flush Hinged Hatch | Pull-up T-Handle | Oval 15" X 24" | Aluminum

This popular strongback hatch design series adds the convenience of a built-in recessed Stainless Steel T-handle to the flush-mounted, quick release, lift-out hatch. The design is especially popular on aluminum boats, fishing and other workboats, as well as many U.S. Navy and U.S. and Canadian Coast Guard vessels.

FEATURES

Unique:

- Cast Hatch Cover (unique no grab handles)
- Stainless Steel Centerbolt and hardware
- Built-in Stainless Steel T-Handle used for quick engagement as well as lifting

Shared With Classic HEX-Bolt Series:

- Cast Strongback
- Cast / fabricated matching Deck Ring
- Neoprene Cover Gasket and Washers (Buna-N optional)
- Every unit shipped with an underside escape turning bar for safety
- Turning wheel optional



STRENGTH, SIMPLICITY and CONVENIENCE

The T-Handle Strongback system has only three moving parts to secure the hatch cover to the deck. Like the Classic HEX it is simple, strong, reliably watertight, infinitely adjustable from topside, and easily serviced (parts are readily available and replaced in the field).

MATERIALS

The T-Handle Strongback hatch cover product line is available only in cast aluminum. The deck rings used are the same as the Classic HEX and are available in galvanized mild steel (for welding into steel decks), or cast aluminum (for welding into aluminum decks or bolting to fiberglass or wood decks). Stainless deck rings are available by special order.

Model Number	Cutout Dimension in. (mm)	Hatch Material	Autocad PDF/DXF
BFHHOTH15X24A/A		Aluminium / Aluminium	
BFHHOTH15X24A/S		Aluminium / Steel	
BFHHOTH15X24S/S		Steel / Steel	



BFHHOTH15X24A/A with Cast Aluminum Deck Ring

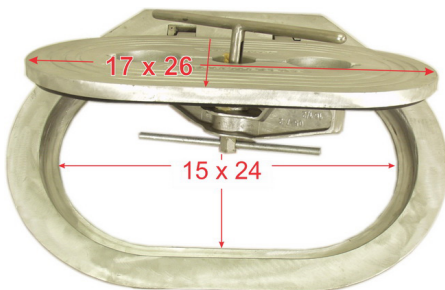


BFHHOTH15X24A/A Hinged Operation

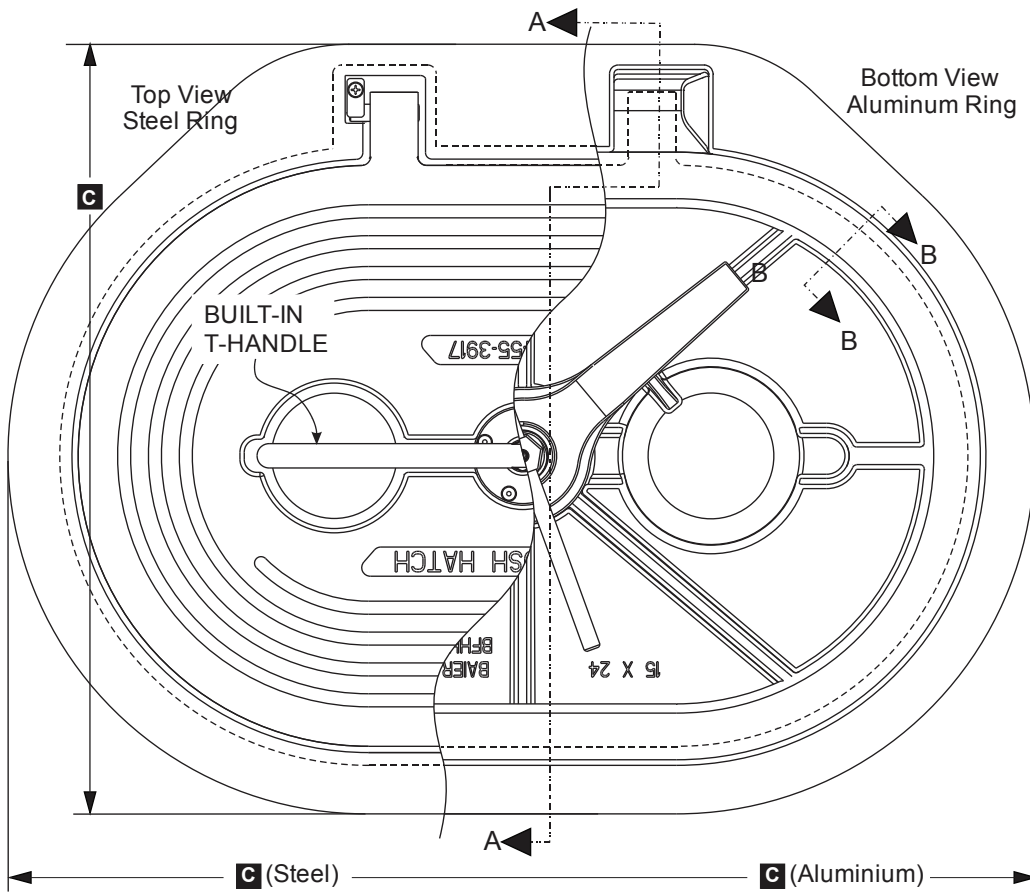
When ordering please specify:

Cover Material: cast aluminum only

Ring Material: cast aluminum, galvanized steel



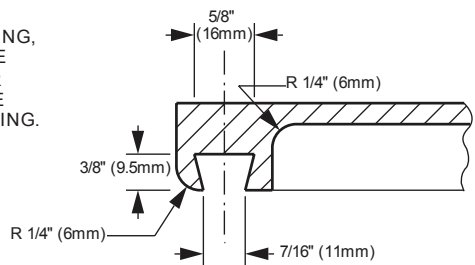
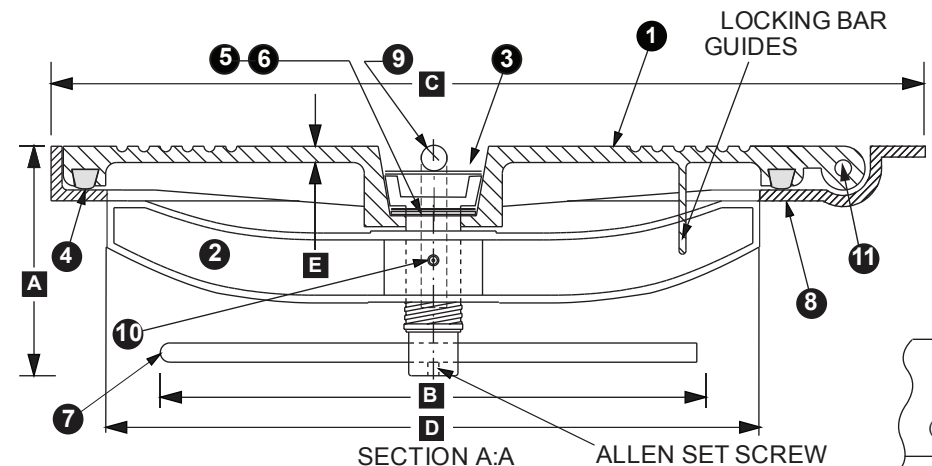
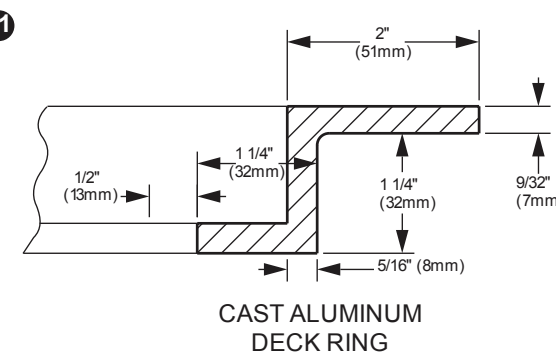
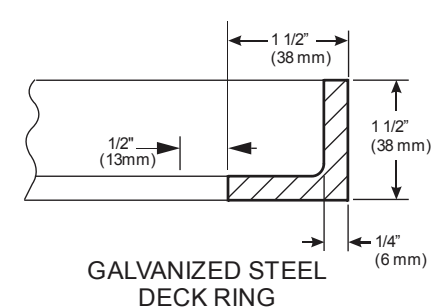
Hatch Covers Available Separately



BILL OF MATERIAL: 08861-121		
PC. NO.	DESCRIPTION	MATERIAL
1	COVER	ALUMINUM ONLY
2	STRONGBACK	ALUMINUM ONLY
3	BOLT (1 1/2" Ø)	STAINLESS STEEL
4	GASKET	NEOPRENE
5	WASHER	STAINLESS STEEL
6	WASHER	NEOPRENE
7	ROD (1/2" Ø)	GALVANIZED STEEL
8	DECK RING	***
9	T-HANDLE	STAINLESS STEEL
10	LUBE ZERK	ANNODIZED STEEL
11	HINGE PIN	STAINLESS STEEL

NOTE: *** CORROSION RESISTANT ALUMINUM, OR GALVANIZED STEEL

NOTE: BUTT WELD ON STEEL AND ALUMINUM DECKS. BOLT DOWN ON WOOD AND FIBERGLASS DECKS (FLANGES SUPPLIED BLIND - SHIPYARD TO DRILL TO SUIT)



IMPORTANT: WHEN ORDERING, PLEASE SPECIFY OUTSIDE DIAMETER (C) OR CLEAR OPENING (D). UNITS ARE IDENTIFIED BY CLEAR OPENING.

HATCH WEIGHTS (LBS.)	
Model Number	BFHHOTH15X24
Material	AL ST
Cover	32 (14.5) 76 (34.4)
Deck Ring	10 (4.5) 27 (12.2)

GASKET GROOVE, SECTION B:B

Model Number	DIMENSIONS INCHES (mm)					
	A	B	C(ST)	C(AL)	D	E
BFHHOTH15X24	5 1/4 (133)	12 1/2 (318)	30 7/8 x 22 7/16 (784 x 570)	30 1/2 x 23 3/8 (775 x 593)	24 x 15 (610 x 381)	7/32 (5.6)

BAIER Marine Company, Inc.
 1-800-455-3917
 206-632-2441 (FAX)
 sales@bailermarine.com

BAIER FLUSH HATCH
 HINGED DOGGED TYPE WITH BUILT-IN T-HANDLE
 TYPE "C" POSITIVE LOCKING
 MODEL BFHHOTH15X24

DWG. NO. 525