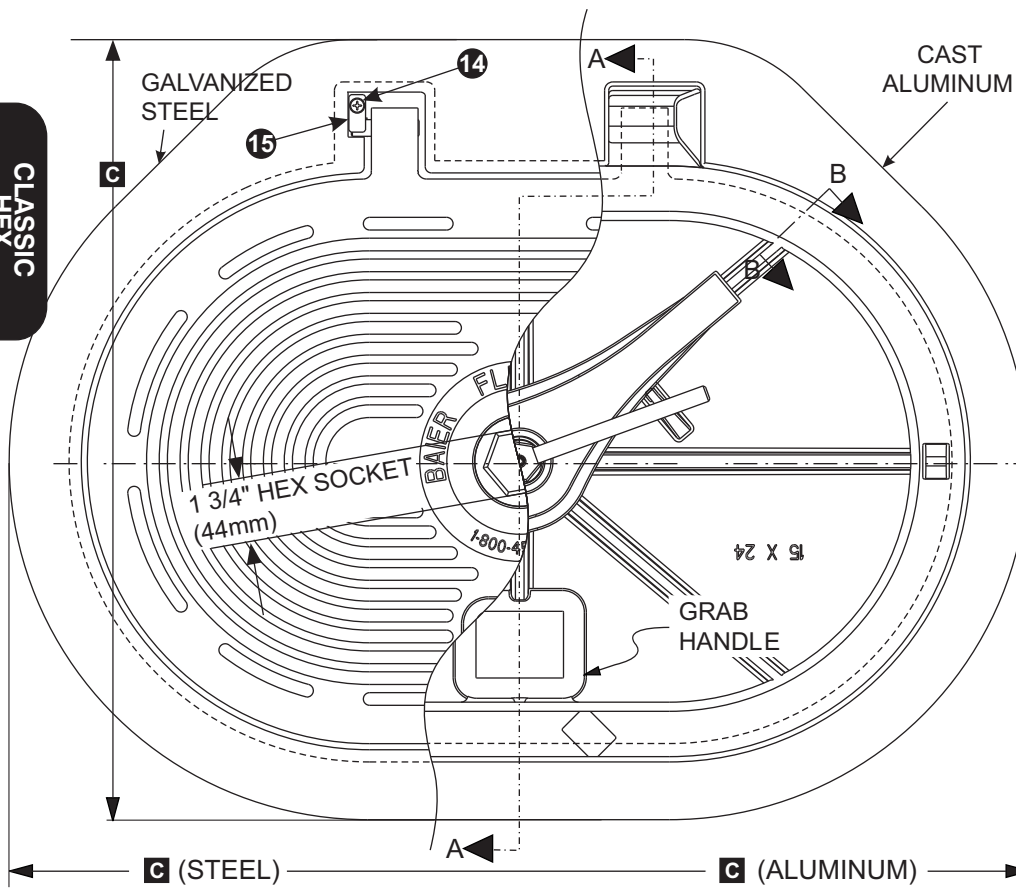


CLASSIC
HEX

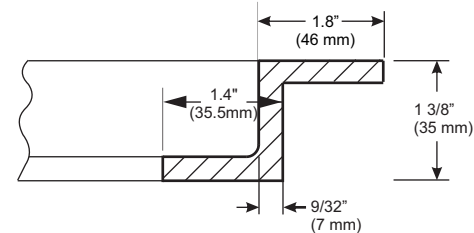
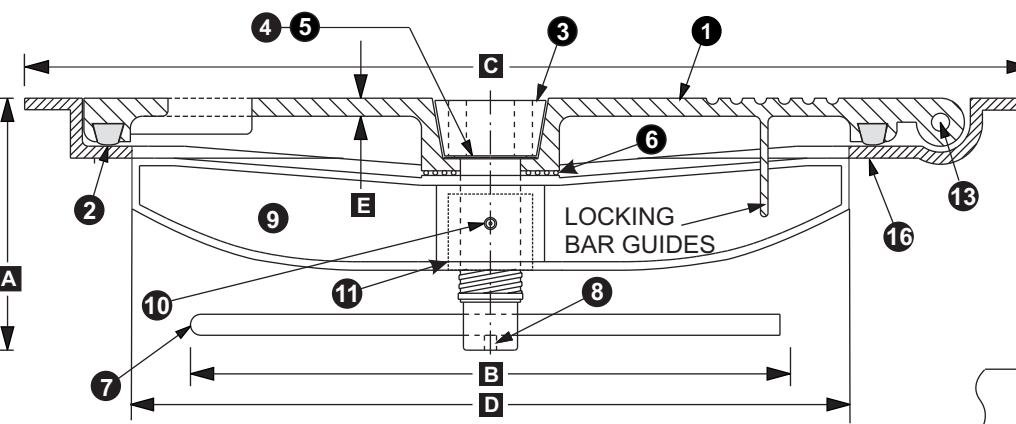


BILL OF MATERIAL: 08861-161

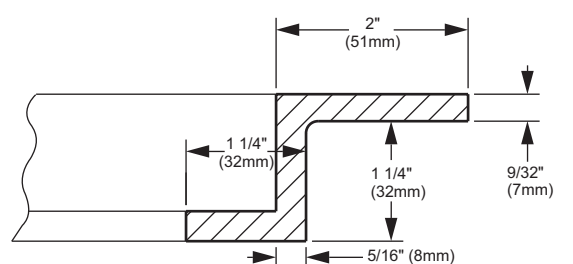
#	DESCRIPTION	MAT	P/N
Cover Kit (parts & kits below AL,ST)			BFHHO15x24
1	COVER	AL,ST	08861-163A,B
2	GASKET	NEO	08861-702A
Centerbolt Kit (parts below)			UP-CB-HEX-SS-KIT
3	BOLT (1 1/2" Ø)	SS	08861-204A
4	WASHER	SS	08861-205A
5	WASHER	NEO	08861-701A
6	SPRING	SS	08861-805A
7	ROD (1/2" Ø)	ST	08862-205A
8	ALLEN SET SCREW	SS	06122-801B
Strongback Kit (parts below AL,ST)			BSB16-1/2
9	STRONGBACK	AL,ST	08861-108A,B
10	LUBE ZERK	ZNST	08790-803A
11	THREADED INSERT	BR	08861-209B
12	WRENCH	GALV	UP-WRNCH-HEX-ST
Hinge Kit (Parts Below)			UP-HINGE-KIT
13	(2) PIN 1/2" DIA X 2.03"	SS	08861-804A
14	(2) BRACKET	SS	08861-215A
15	(2) SCREW #12-24 X .5"	SS	08861-803A
16	DECK RING AL	AL	08861-124A
16	DECK RING ST	ST	08861-124B

MATERIAL KEY	
NEO - NEOPRENE	ZNST - ZINC PLATED ST
AL - ALUMINUM	BR - BRONZE
ST - GALV. STEEL	
SS - STAINLESS STEEL	

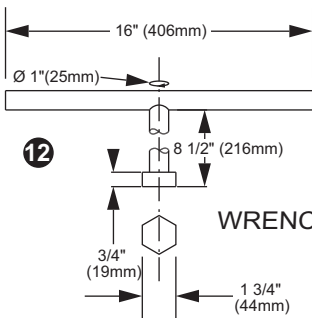
NOTE: BUTT WELD ON STEEL AND ALUMINUM DECKS. BOLT DOWN ON WOOD AND FIBERGLASS DECKS (FLANGES SUPPLIED BLIND - SHIPYARD TO DRILL TO SUIT)



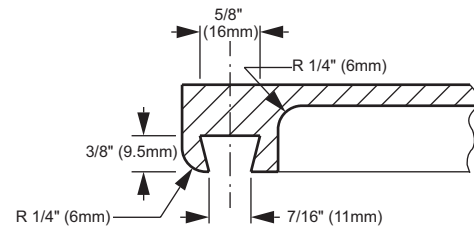
GALVANIZED STEEL DECK RING



CAST ALUMINUM DECK RING



WRENCH



GASKET GROOVE, SECTION B:B

HATCH WEIGHTS (LBS.)	
Model Number	BFHHO15x24
Material	AL ST
Cover	32 (14.5) 72 (33)
Deck Ring	11 (5) 29 (13)

IMPORTANT: WHEN ORDERING, PLEASE SPECIFY OUTSIDE DIAMETER (C) OR CLEAR OPENING (D). UNITS ARE IDENTIFIED BY CLEAR OPENING.

Model Number	DIMENSIONS INCHES (mm)					
	A	B	C (ST)	C (AL)	D	E
BFHHO15X24	5 1/4 (133)	12 1/2 (318)	29 7/8 x 22 1/2 (759 x 571)	30 9/16 x 23 7/16 (776 x 595)	24 x 15 (610 x 381)	.40 (10)



BAIER FLUSH HATCH
HINGED DOGGED TYPE WITH GRAB HANDLES
TYPE "C" POSITIVE LOCKING
MODEL: BFHHO15X24

DWG. NO. 543-1