

8

7

6

5

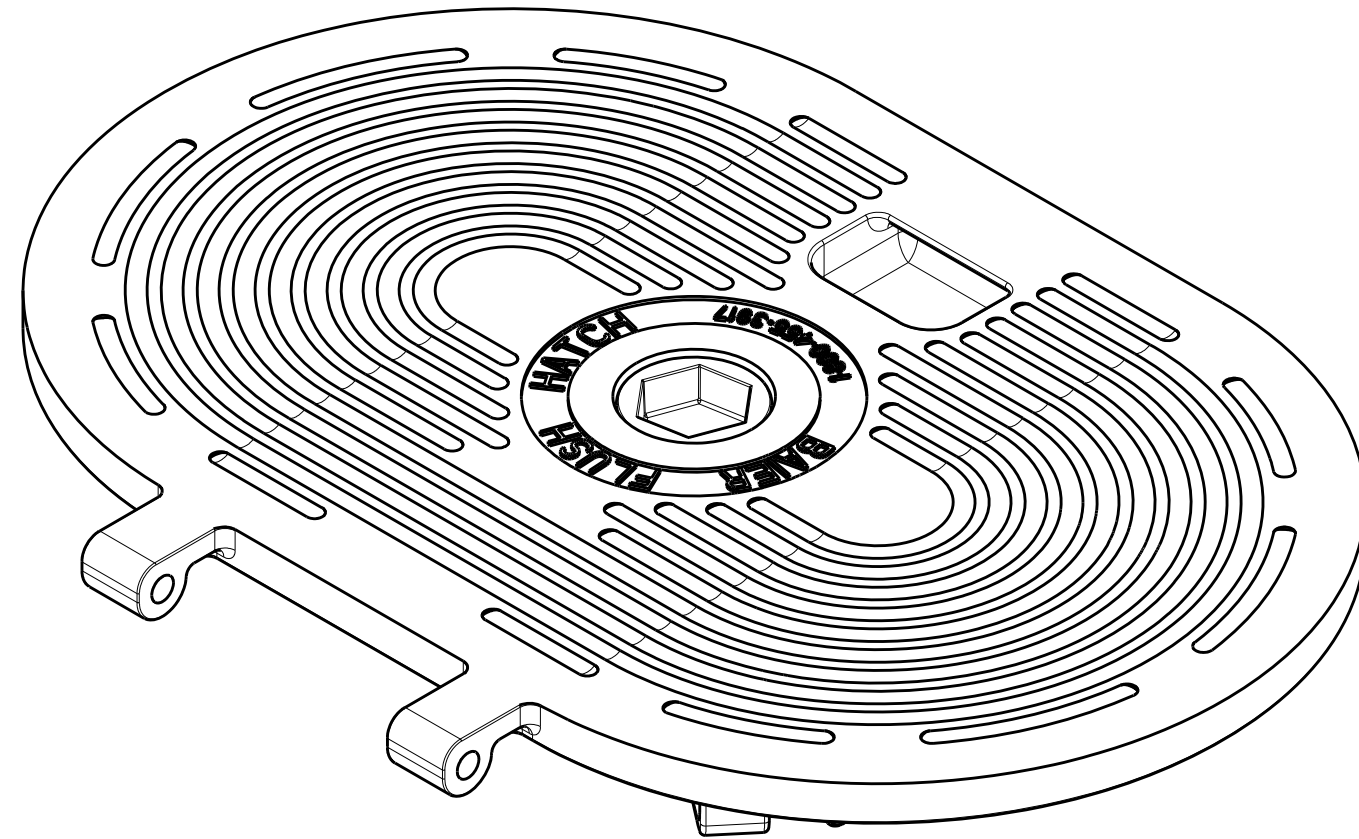
4

3

2

1

REVISIONS					
REV	ECN	ECR-TN	DESCRIPTION	DATE	APR
A	16-00209	N/A	INITIAL RELEASE	08/19/16	RCL



ISOMETRIC VIEW

QTY	DESCRIPTION	PART NO	ITEM
1	STRONGBACK ALUM-16.5"HEX BRNZ	08861-108A	9
1	ROD, .50" DIA X 12" LG	08861-205A	8
1	DECAL, HATCH LUB	08861-710A	7
1	SPRING	08861-805A	6
1	COVER-GASKET KIT, GH HINGE, AL #543-1, 15" X 24"	08861-163A	5
1	GASKET, 1.50" ID	08861-701A	4
1	WASHER, FLAT 1.50" ID SS	08861-206A	3
1	SCREW, SET 5/16-18 X 5/16 SS	06122-801B	2
1	BOLT, CENTER THREADED	08861-204A	1

D

D

C

C

B

B

A

A

8

7

6

5

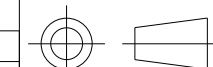
4

3

2

1

UMC P/N REF
08861-162A



PRO/E
THIRD ANGLE PROJECTION

THE INFORMATION CONTAIN IN THIS DOCUMENT IS PROPRIETARY AND SHALL NOT BE REPRODUCED OR USED FOR ANY PURPOSE WITHOUT THE WRITTEN APPROVAL OF BAIER MARINE CO., INC.

DWN	BAE	DT	01/11/16
CK		DT	
APR		DT	

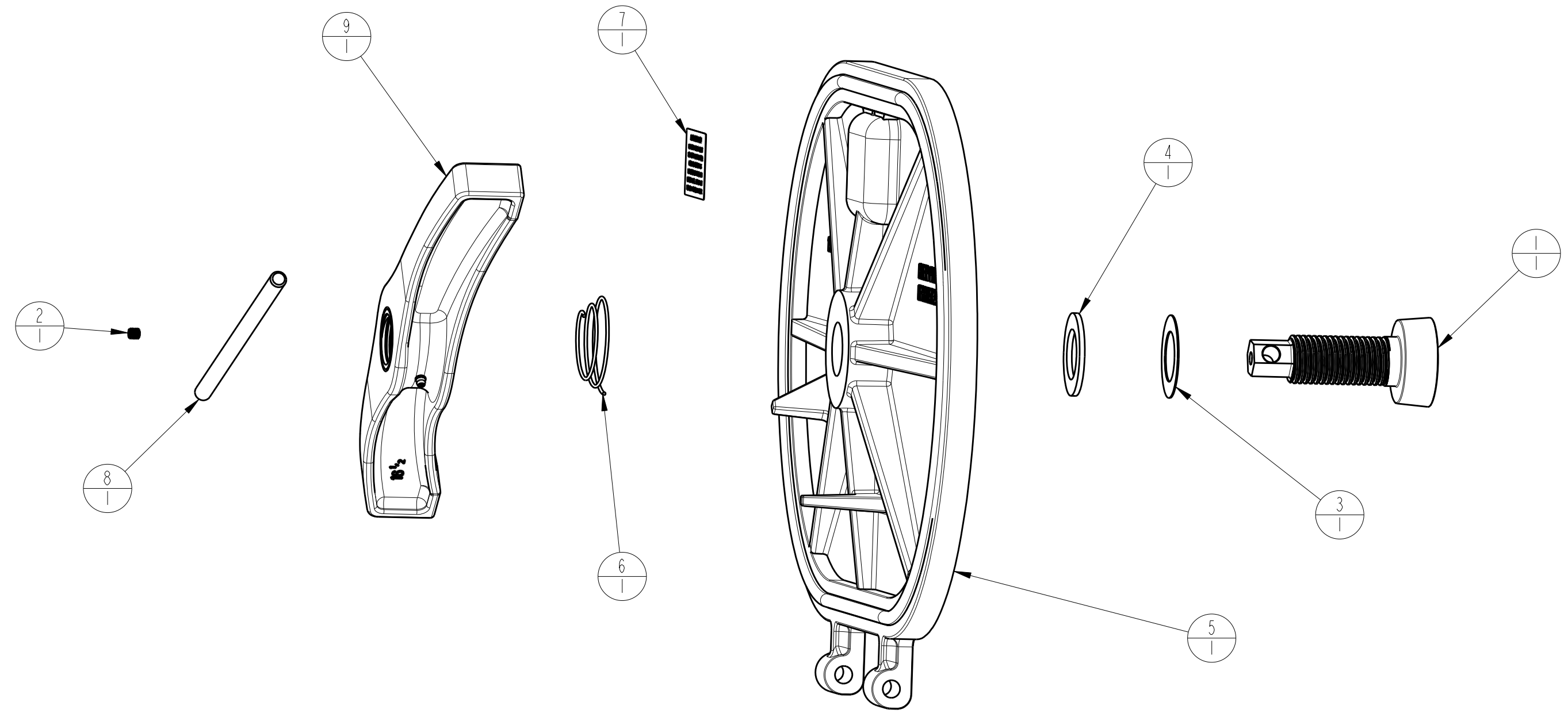
BAIER
2920 Airway Ave., Costa Mesa, CA 92626

TITLE COVER ASSY, GH-HINGE
ALUM #543-1, 15" X 24"

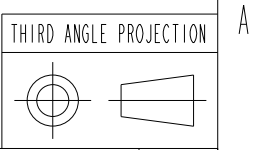
SIZE B DWG NO. BFHH015X24A REV A

SCALE 3:10 AND NOTED SHEET 1 OF 3

REVISIONS					
REV	ECN	ECR-TN	DESCRIPTION	DATE	APR
A	16-00209	N/A	SEE SHEET 1	08/19/16	RCL



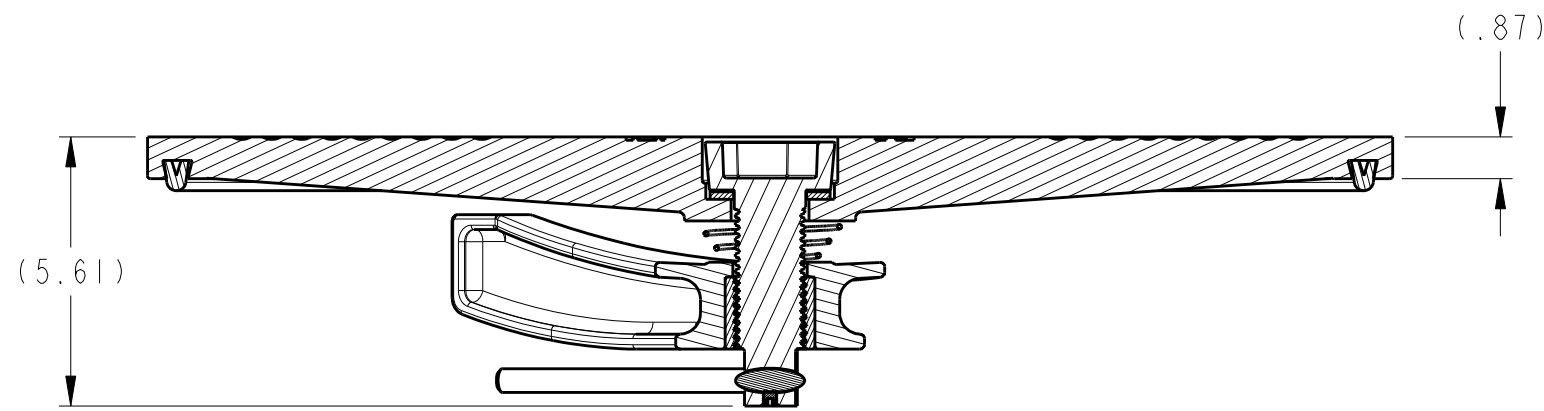
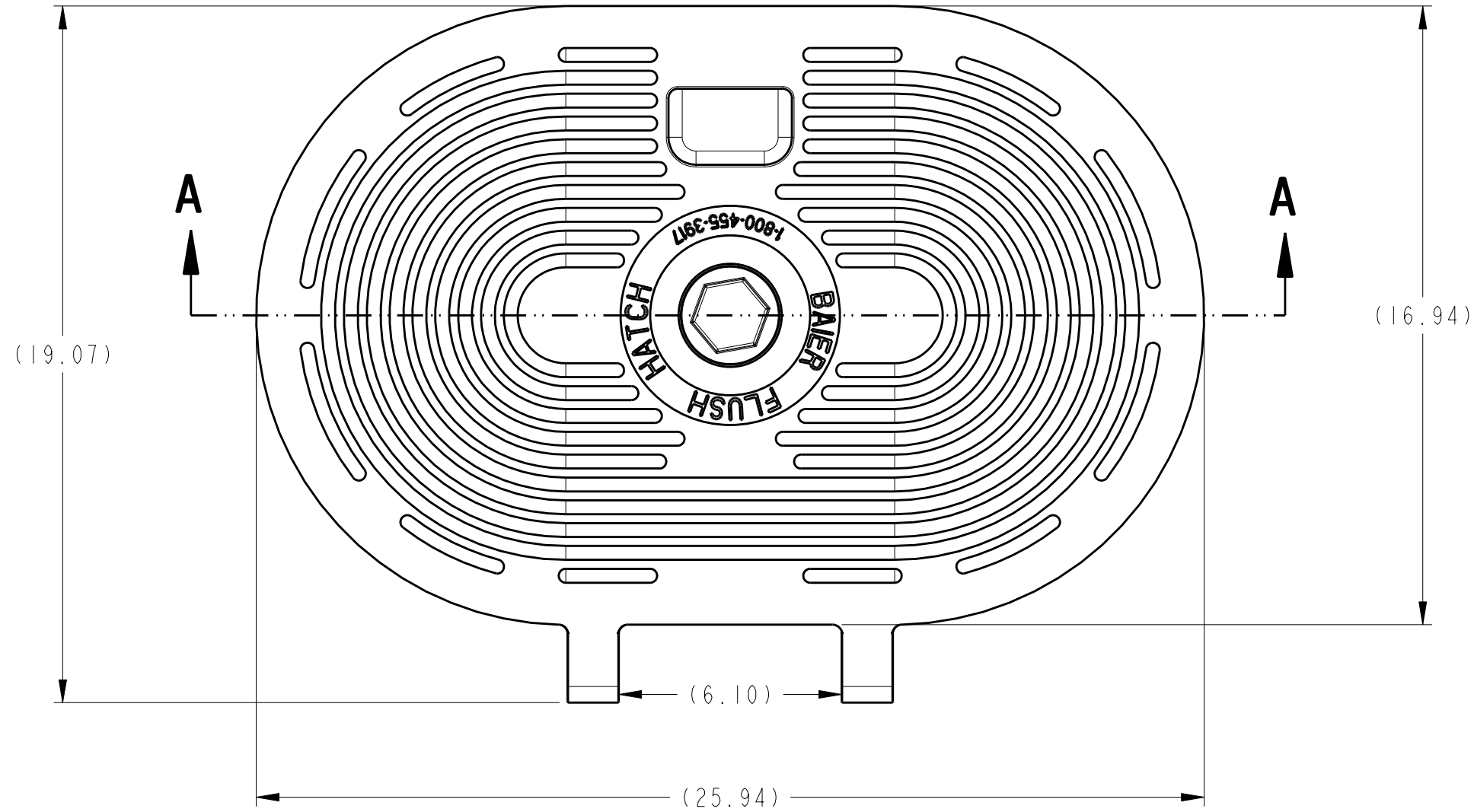
EXPLODED VIEW



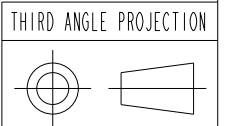
BAIER MARINE Co., Inc. 2920 Airway Ave., Costa Mesa, CA 92626		DWN DT	DWG NO. BFHHO15X24A	REV A
SCALE 3:10		SHEET 2 OF 3		

REVISIONS					
REV	ECN	ECR-TN	DESCRIPTION	DATE	APR
A	16-00209	N/A	SEE SHEET 1	08/19/16	RCL

TOP VIEW



SECTION A-A



BAIER MARINE Co., Inc. 2920 Airway Ave., Costa Mesa, CA 92626		DWN DT	DWG NO. BFHHO15X24A	REV A
SCALE 1:4		SHEET 3 OF 3		